

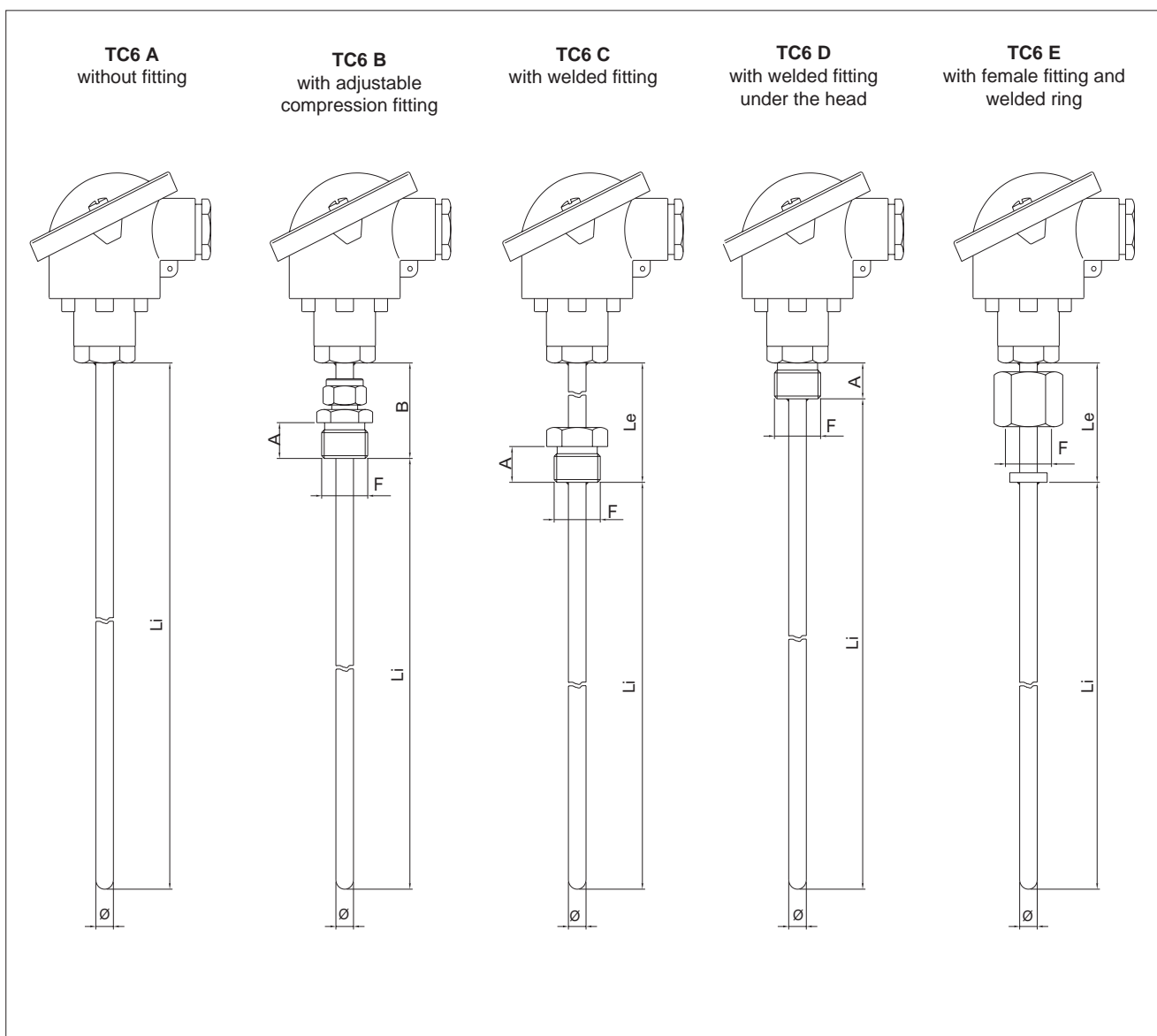


Main features

- Temperature limits:
 - 40 ... + 350° C for type T
 - 40 ... + 750° C for type J
 - 40 ... + 900° C for type E
 - 40 ... + 1000° C for type K
 (see table for sheath diameters)
- Tolerance (IEC standard 584.2/Class 2):

for type T:	$\pm 1^{\circ} \text{C}$	(- 40 ... + 133° C)
	$\pm 0.0075 [t]$	(t > + 133° C)
for type J, E, K:	$\pm 2.5^{\circ} \text{C}$	(- 40 ... + 333° C)
	$\pm 0.0075 [t]$	(t > + 333° C)
- Ceramic insulation of the thermocouple element
- Application versatility

MODELS



ORDER CODE

CODE

T C 6 [] [] [] [] [] [] [] [] [] [] 0 [] [] [] [] X [] [] [] [] X [] [] [] [] [] [] [] [] X [] []

Model	
Without fitting	A
With adjustable compression fitting	B
With welded fitting	C
With welded fitting under the head	D
With female fitting and welded ring	E *

(*) Available just with: 1/2" GAS thread

Element + Hot Junction	
Single Insulated	1
Single Grounded	2
Double Insulated	3
Double Grounded	4

Thermocouple Type	
Fe - Cu/Ni	J
Ni/Cr - Ni/Al	K
Cu - Cu/Ni	T
Ni/Cr - Cu/Ni	E

Connection Head	
Mignon	A *
DIN J	B
DIN B	C
DIN BUS	E
EEX d IIC 2GD	F
CEAA	H

(*) For single element only

Sheath Material	
AISI 304	A
AISI 310	B
AISI 316	C
INCONEL 600	F

Sheath Diameter (mm)	
5	H
6	I
8	J
10	K
12	L

Connection Thread *		
1/8" GAS	"A"= 10mm	A
1/4" GAS	"A"= 12mm	B
3/8" GAS	"A"= 15mm	C
1/2" GAS	"A"= 15mm	D
1/8" NPT		G
1/4" NPT		H
3/8" NPT		I
1/2" NPT		J

(*) To be shown for B, C, D, E models only

Connection Material *		
Nickel-Plated Brass	1	**
300 Series Stainless Steel	2	

(*) To be shown for B, C, D, E models only
(**) Available for TC6B model only

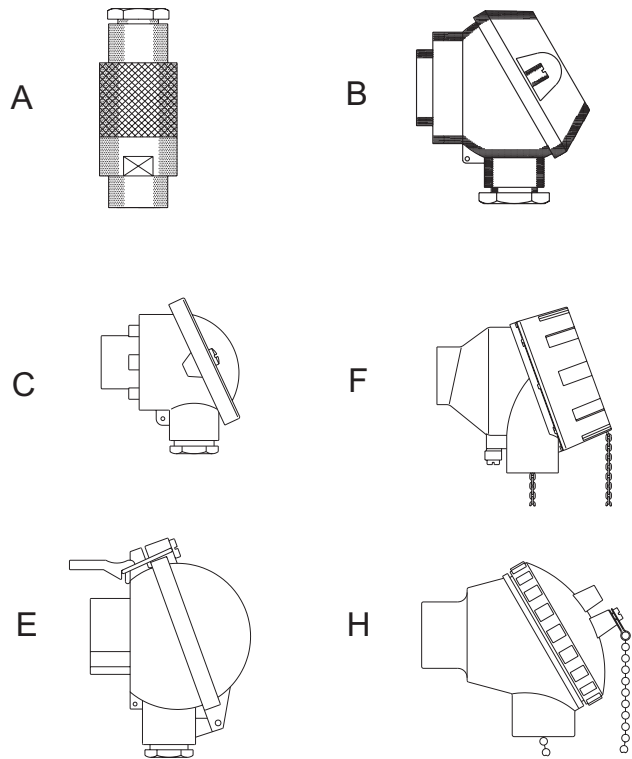
Certificates	
A	Conformity Report
R	Calibration Report
T	SIT Certificate

LENGTHS AND ACCESSORIES

Li = Immersion Length (mm)
Standard Length from 50 to 1000mm with 50mm step

Le = Extension Length (mm) *
Standard Length from 35 to 200mm with 10mm step

(*) Available for TC6C and TC6E models only



MOUNT (F)	Mod. B		Mod. C e D
	A (mm)	B (mm)	A (mm)
G 1/8	10	35	10
G 1/4	12	35	12
G 3/8	15	40	15
G 1/2	15	40	15
1/8 NPT	11	35	11
1/4 NPT	16	40	16
3/8 NPT	16	40	16
1/2 NPT	20	45	20

Availability of Mounts /Sheathing Diameter					
Mount (F)	ø5	ø6	ø8	ø10	ø12
G 1/8	x	x	-	-	-
G 1/4	x	x	x	-	-
G 3/8	x	x	x	x	-
G 1/2	x	x	x	x	x
1/8 NPT	x	x	-	-	-
1/4 NPT	x	x	x	-	-
3/8 NPT	x	x	x	x	-
1/2 NPT	x	x	x	x	x

GEFRAN spa reserves the right to make any kind of design or functional modification at any moment without prior notice

GEFRAN spa
via Sebina, 74
25050 PROVAGLIO D'ISEO (BS) - ITALIA
ph. 0309888.1 - fax. 0309839063
Internet: <http://www.gefran.com>
www.gefranonline.com

GEFRAN

DTS_TC6_0607_ENG