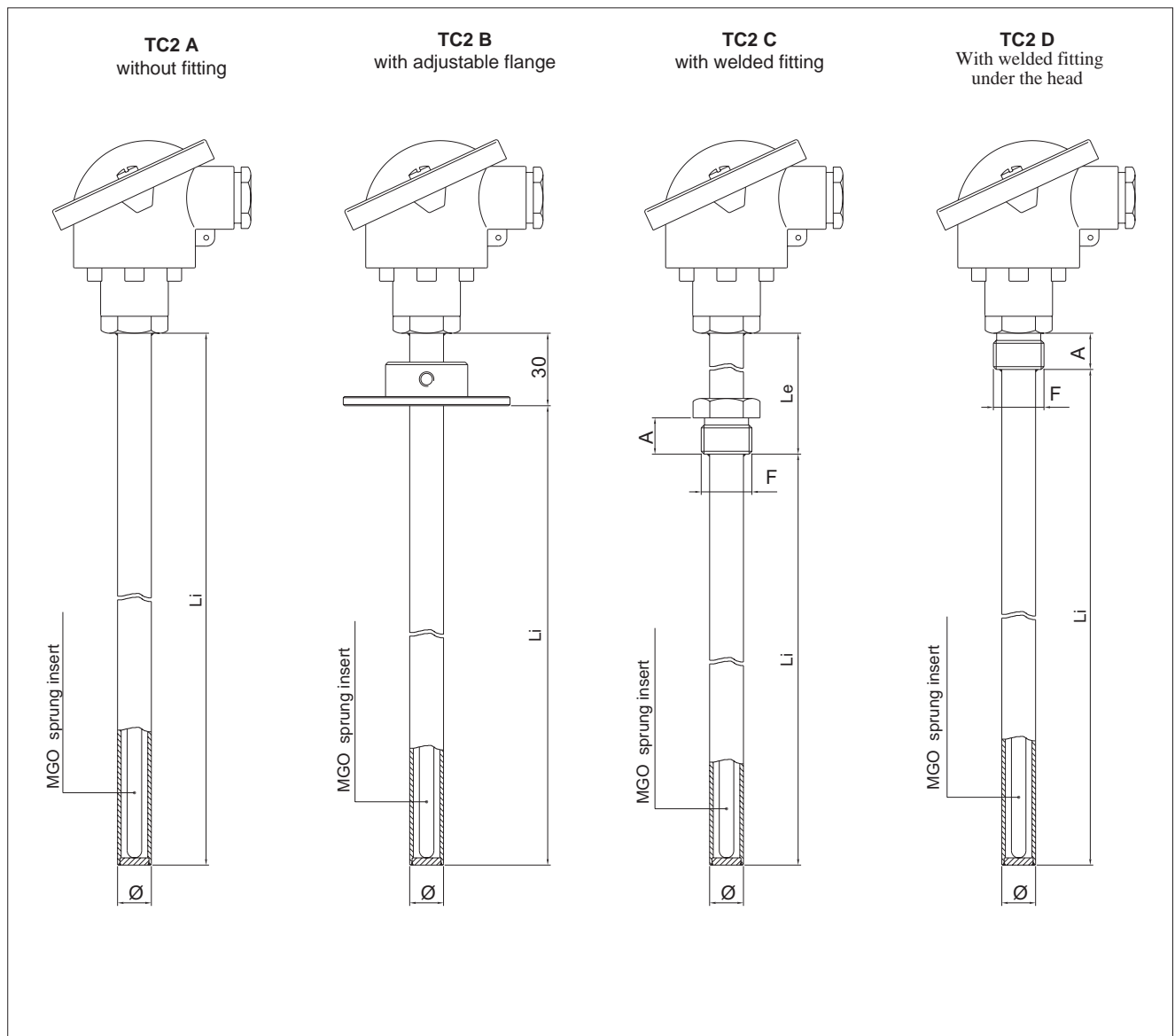




Main features

- Temperature limits:
 - 40 ... + 350° C for type T
 - 40 ... + 550° C for type J
 - 40 ... + 600° C for type E
 - 40 ... + 1050° C for type K
 (see table for sheath diameters)
- Tolerance:
 - UNI 7938, IEC standards 584.2/Class 1:
 - for type T: $\pm 0,5^{\circ} \text{C}$ (- 40 ... + 125° C)
 - $\pm 0.004 [t]$ ($t > + 125^{\circ} \text{C}$)
 - for type J, E, K: $\pm 1.5^{\circ} \text{C}$ (- 40 ... + 375° C)
 - $\pm 0.004 [t]$ ($t > + 375^{\circ} \text{C}$)
- Mineral insulated interchangeable insert
- Application versatility

MODELS



ORDER CODE

CODE

T C 2 [] [] [] [] [] [] [] [] [] [] 0 [] [] [] [] X [] [] [] [] X [] [] [] [] [] [] [] [] X [] []

Model	
Without fitting	A
With adjustable flange	B
With welded fitting	C
With welded fitting under the head	D

Element + Hot Junction	
Single Insulated	1
Single Grounded	2
Double Insulated	3
Double Grounded	4

Thermocouple Type	
Fe - Cu/Ni	J
Ni/Cr - Ni/Al	K
Cu - Cu/Ni	T*
Ni/Cr - Cu/Ni	E

(*) Not available with double element

Connection Head	
DIN B	C
DIN BUS	E
EEX d IIC 2GD	F
CEAA	H
DIN BUZ - H	I

Sheath Material	
AISI 304	A
AISI 310	B
AISI 316	C
INCONEL 600	F

Sheath Diameter (mm)	
10	K
12	L
14	M
16	O
17.2 (3/8")	P
21.3 (1/2")	Q
26.7 (3/4")	T

Connection Thread *		
3/8" GAS	"A"= 15mm	C
1/2" GAS	"A"= 15mm	D
3/4" GAS	"A"= 18mm	E
1" GAS	"A"= 18mm	F
3/8" NPT		I
1/2" NPT		J
3/4" NPT		K
1" NPT		L

(*) To be shown for C model only

Connection Material		
300 series stainless steel	2	*
Aluminium	4	**
Carbon steel	5	**

(*) For fittings only
(**) For flanges only

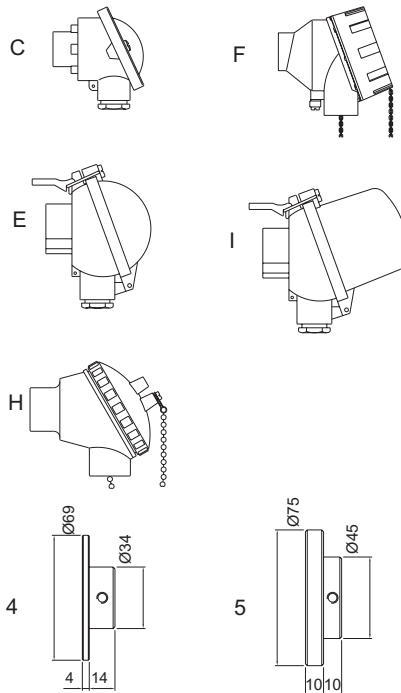
Certificates	
A	Conformity Report
R	Calibration Report
T	SIT Certificate

LENGTHS AND ACCESSORIES

Li = Immersion Length (mm)
Standard length from 100 to 2000mm with 50mm step

Le = Extension Length (mm) (*)
Standard length from 35 to 200mm with 10mm step

(*) To be shown for TC2C model



Mod. C - D	
MOUNT (F)	A (mm)
G 3/8	15
G 1/2	15
G 3/4	18
G 1	20
3/8 NPT	16
1/2 NPT	20
3/4 NPT	20
1 NPT	25

Availability of Mounts /Sheathing Diameter							
MOUNT(F)	Ø10	Ø12	Ø14	Ø16	Ø17.2	Ø21.3	Ø26.7
G 3/8	x	x	-	-	-	-	-
G 1/2	x	x	x	x	-	-	-
G 3/4	x	x	x	x	x	x	-
G 1	x	x	x	x	x	x	x
3/8 NPT	x	x	-	-	-	-	-
1/2 NPT	x	x	x	x	-	-	-
3/4 NPT	x	x	x	x	x	x	-
1 NPT	x	x	x	x	x	x	x

GEFRAN spa reserves the right to make any kind of design or functional modification at any moment without prior notice

GEFRAN spa
 via Sebina, 74
 25050 PROVAGLIO D'ISEO (BS) - ITALIA
 ph. 0309888.1 - fax. 0309839063
 Internet: <http://www.gefran.com>
www.gefranonline.com

GEFRAN

DTS_TC2_0607_ENG